

	1
	1
	
1-1	
1-1	
1-	
1-	
1-	
1-	11
1-	1
1-	1
1-	1
1-	1
1-10	1
1-11	
1-1	
1-1	
1-1	
1-1	
1-1	0
1-1	
1-1	
	
	
-1	
-1	
-	0
-	1
-	
-	
-	
-	
-	1
-10	
-11	
-1	
-1	
-1	1
-1	
-1	
-1	
-1	
	0

[2014] 55

- 1.
- 2.
- 3.
- 4.

--

--

		1-1	1	1-1	1-1
		-1	1	-1	-1
		-1	1	-1	-1

1

I/O

C

/

Kei I C

2

1

/ /

Kei I C

MCU

/ /

2

6S (

)

/

3

120

4

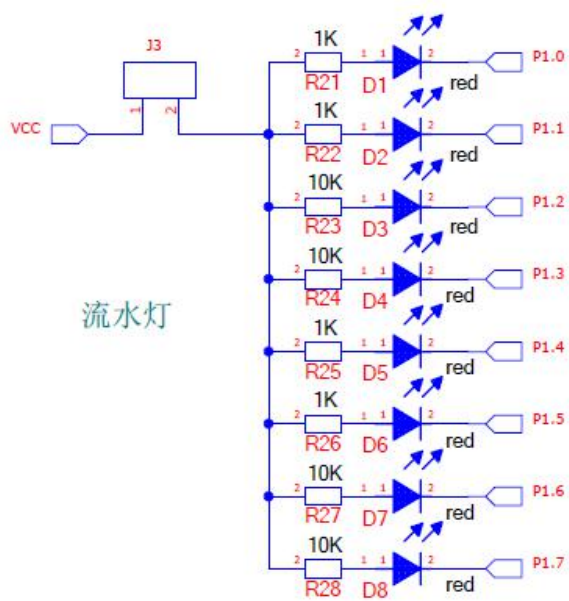
20		10	0	
				1
				2
		10		3
				4
			5	

10

5

30

1



2

PCB

E

3

1

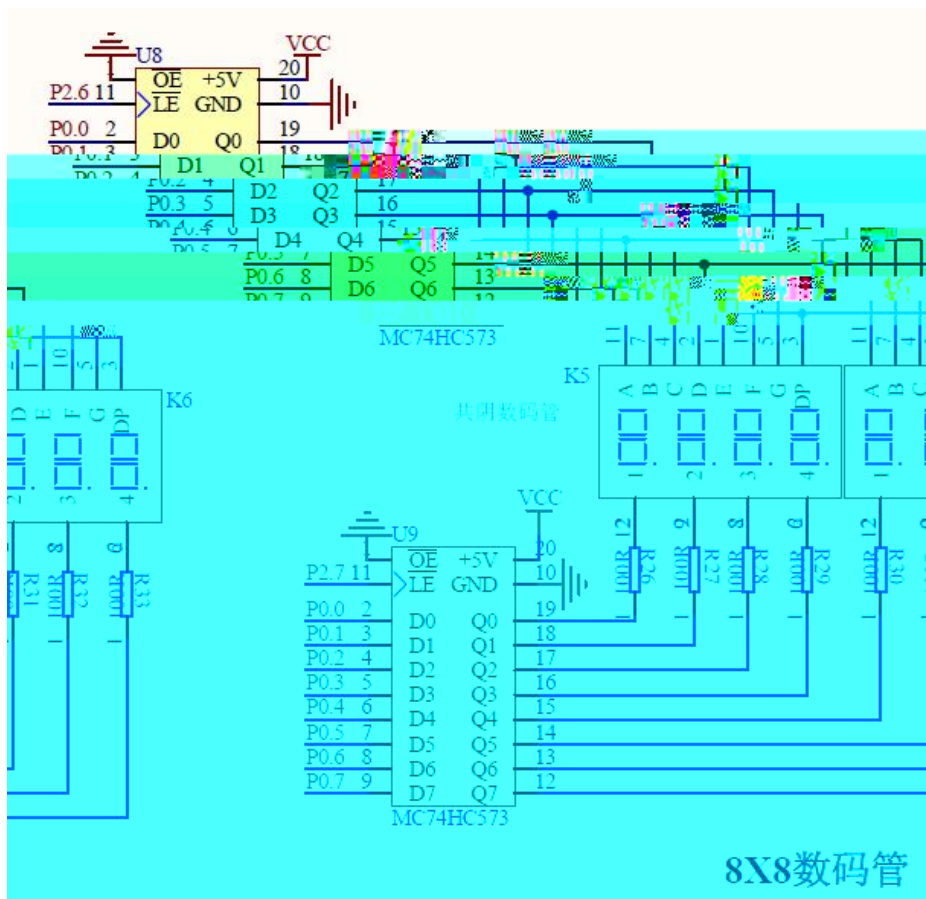


2

PCB
E

3

1

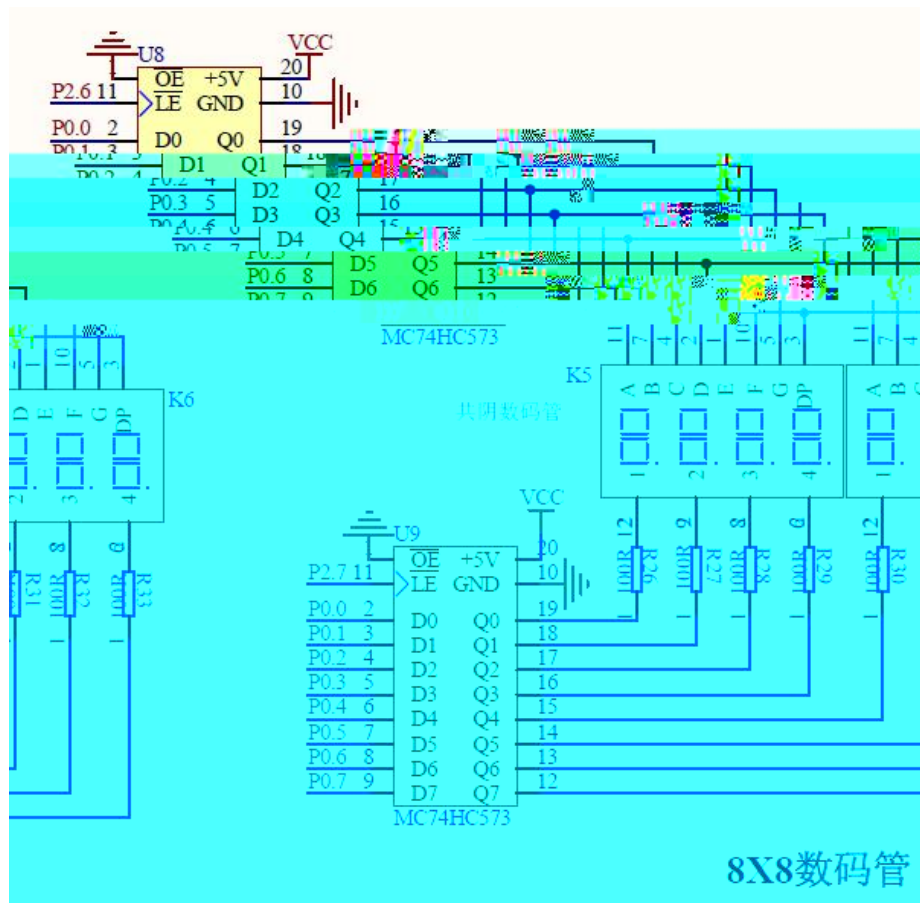


2

PCB
E

3

1

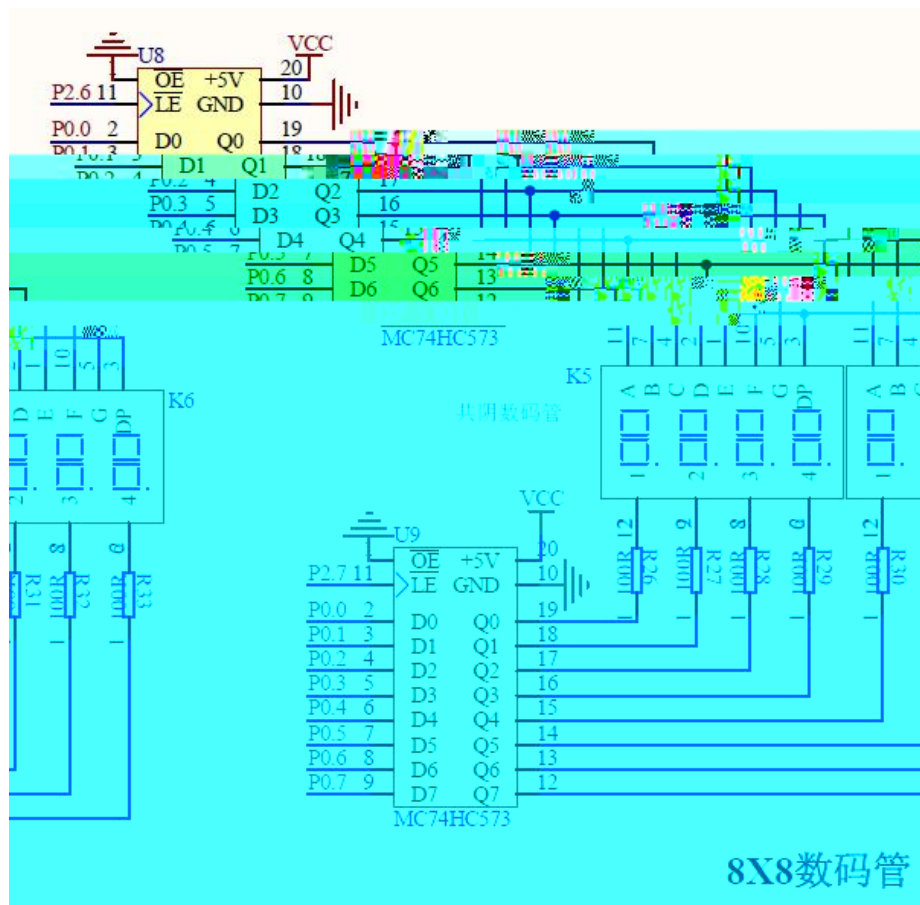


2

PCB
E

3

1



2

PCB
E

3

1

K1 8



2

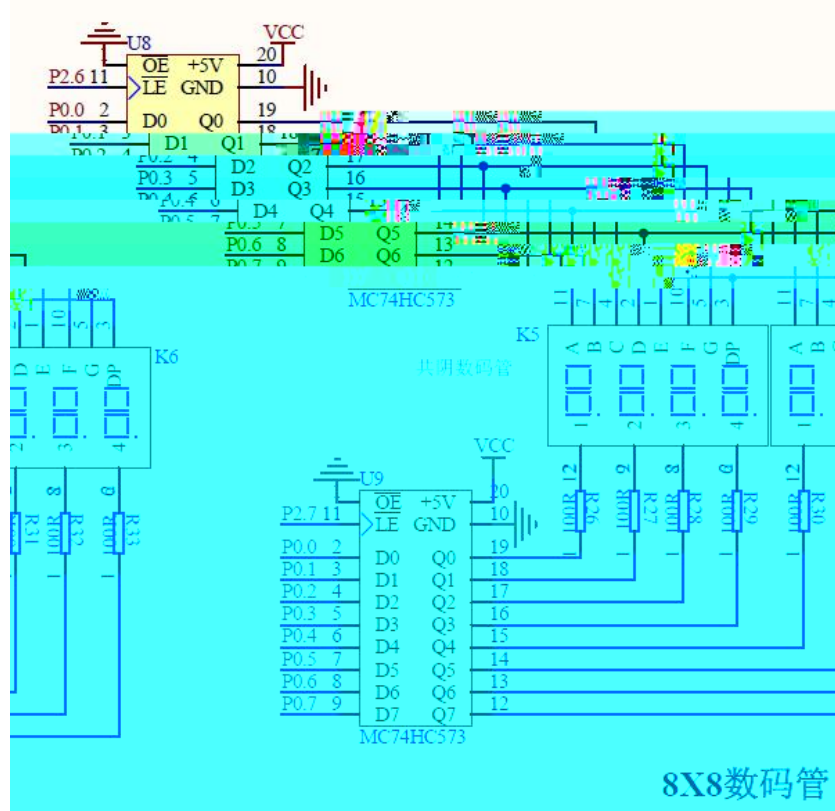
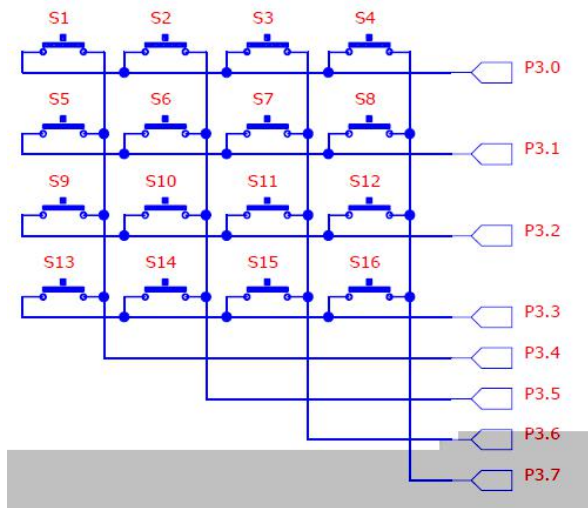
PCB
E

3

1

S1-S16

O-F



2

PCB

E

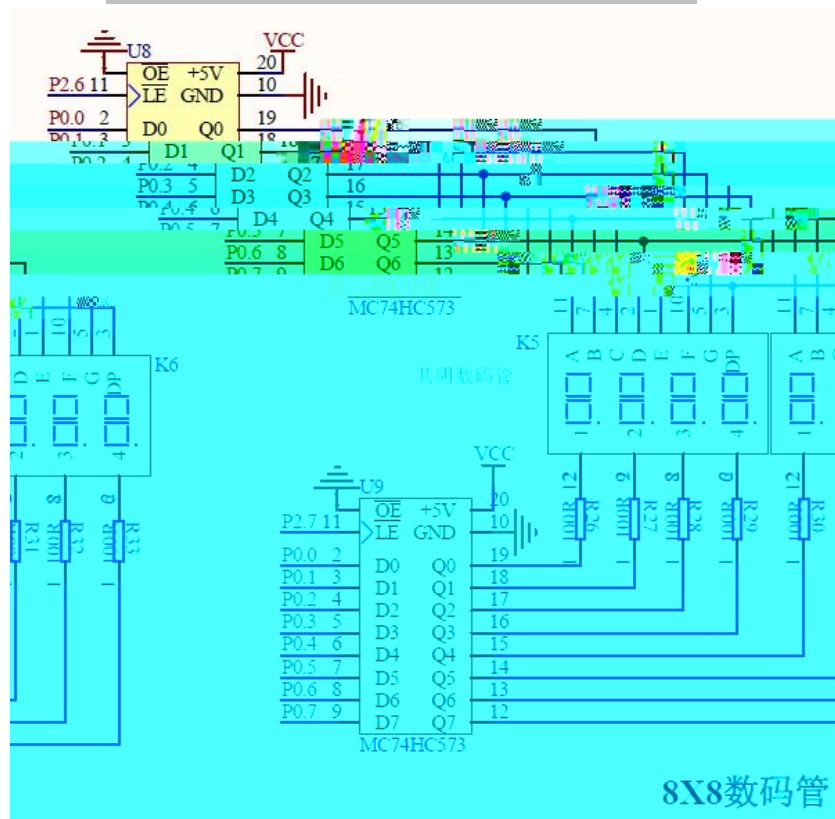
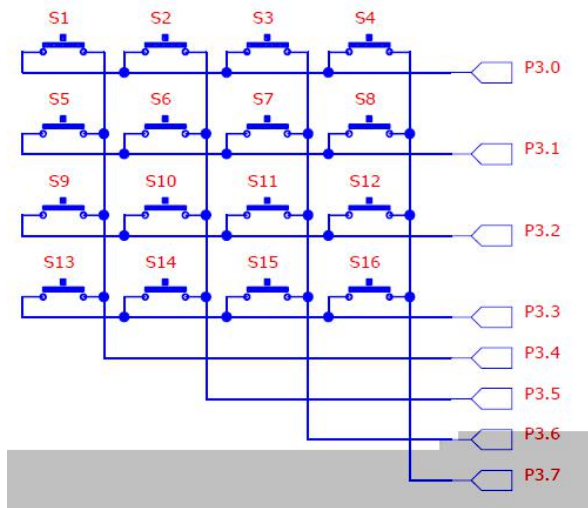
3

1

P3.2

1

9 0



2

PCB

E

3

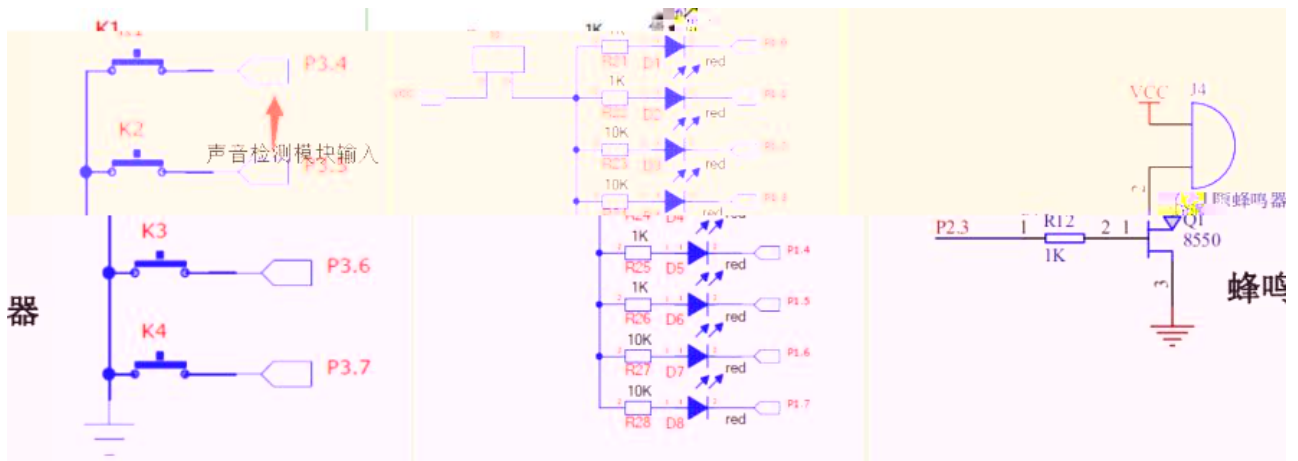
1

P3.4

1

P3.4

D1



1

2

PCB
E

3

1

P3.7

1

P3.7



1

2

PCB
E

3

1

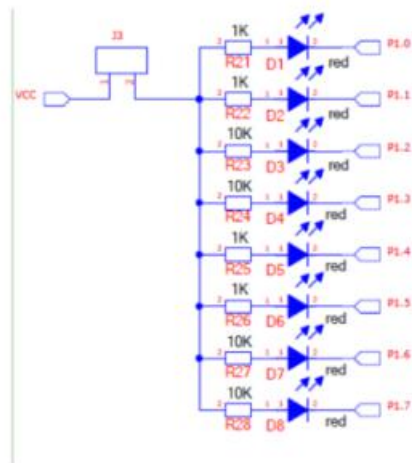
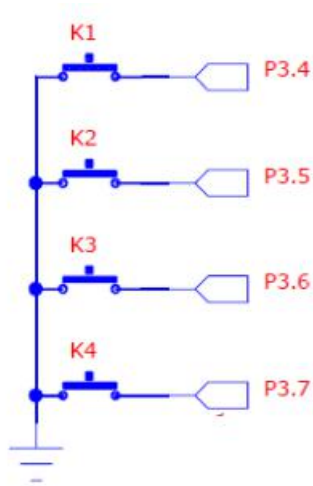
1

K1

D1

K2

D2



1

2

PCB

E

3

1

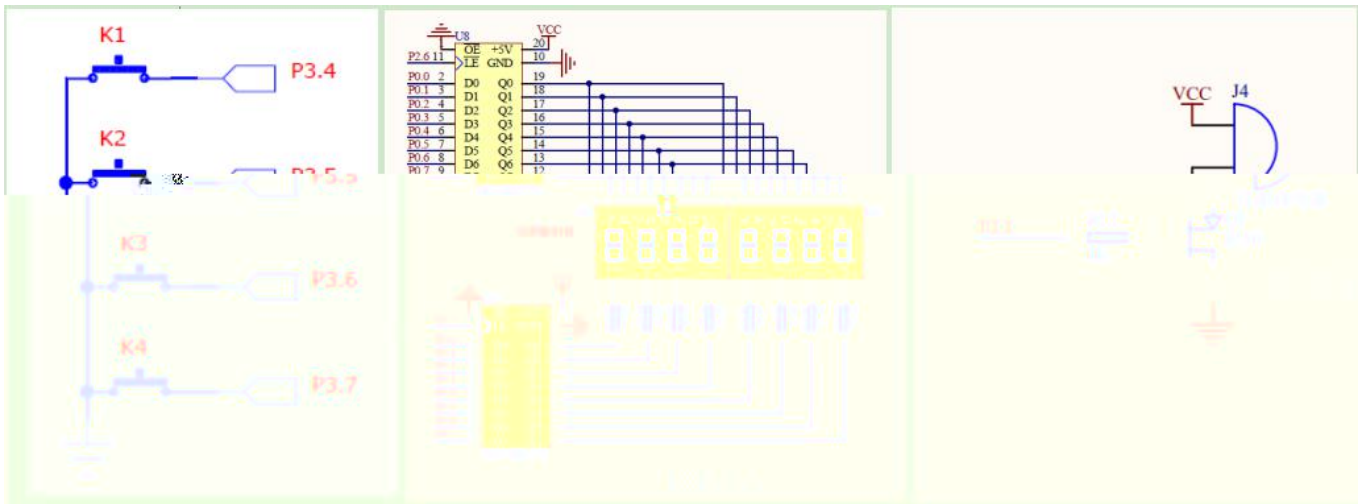
1

K1

K2 K3 K4

K1

" 1"



2

PCB

E

3

1

2



2

PCB

E

3

1

1

P3.6

P3.6



1

2

PCB

E

3

0

1

0.5S 0.5S



2

PCB
E

3

1

K1

D1-D4

K2

D5-D8



2

PCB

E

3

1

/ /

1

/ /

/ /

()

/

1 0

20		10			0
			1		
		10	2		
			3		

			4	
			5	
30		10		
		5		
		5		
		10		
50		5		
		5	1 2	PCB
		10		
		15	1 2 3	
		15		

5

18

1



2

3

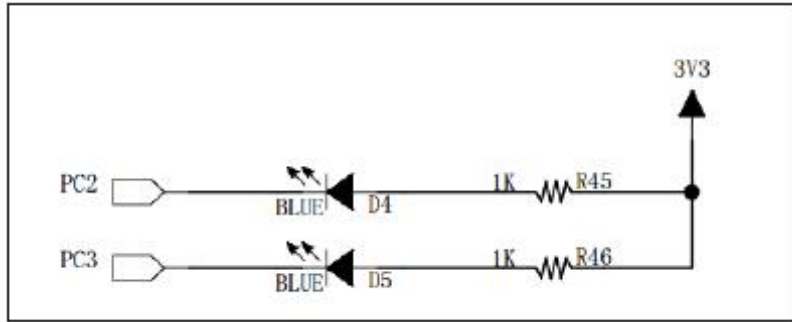
1



2

3

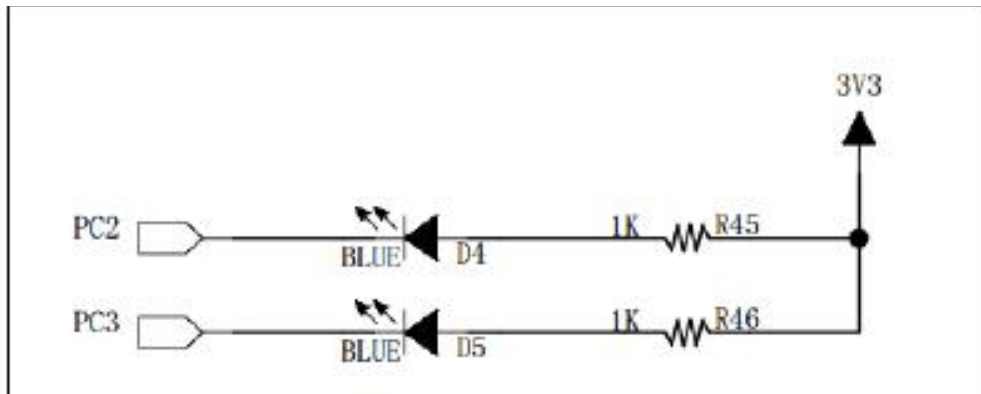
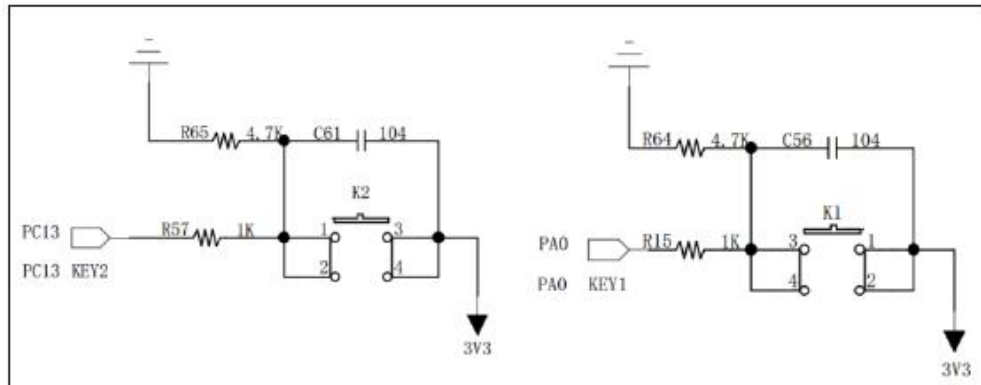
1



2

3

1



2

3

1



2



3

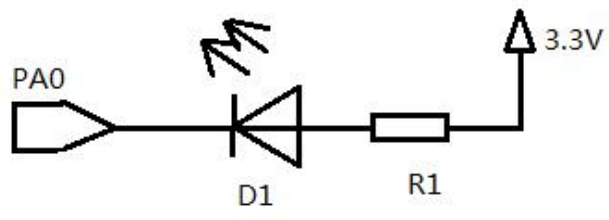
1

1	VBAT	VDD	64
2	PC13/ANT1	VSS	63
3	PC14/OSC32	PB9/TIM4_CH4/SDIO_D5	62
4	PC15/OSC32	PB8/TIM4_CH3/SDIO_D4	61
5	PD0/OSCIN	PA7/OSCOUT	60
6	PD1/OSCOUT	PD7/I2C1_SCL/PA7/TIM4_CH2	59
7	NRES	PB6/I2C1_SCL/TIM4_CH1	58
8	PC0/ADC10	PB5/I2C1_SMBA/SPI3_MOSI/I2S3_SD	57
9	PC1/ADC11	PB4/JNTRST/SPI3_MISO	56
10	PC2/ADC12	PB3/JTDO/SPI3_SCK/I2S3_CK	55
11	PC3/ADC13	PC2/U5_RX/TIM3_ETR/SDIO_CMD	54
12	VSSA	PC12/U5_TX/SDIO_CK	53
13	VDDA	PC11/U4_RX/SDIO_D3	52
14	PA0/WKUP/ADC0/TIM2_CH1_ETR/TIM5_CH1/TIM8_ETR	PC10/U4_TX/SDIO_D2	51
15	PA1/ADC11/M2_CH3/TM5_CH2	PA15/JTDI/SPI3_NSS/I2S3_WS	50
16	PA2/U2_TX/ADC2/TIM2_CH5/TIM5_CH3	PA14/JTCK/SWCLK	49
17	PA3/U2_RX/ADC3/TIM2_CH4/TIM5_CH4	VDD	48
18	PA4	VDD	47
19	PA5	VDD	46
20	PA6	VDD	45
21	PA7	VDD	44
22	PA8	VDD	43
23	PA9	VDD	42
24	PA10	VDD	41
25	PA11	VDD	40
26	PA12	VDD	39
27	PA13	VDD	38
28	PA14	VDD	37
29	PA15	VDD	36
30	PA16	VDD	35
31	PA17	VDD	34
32	PA18	VDD	33
33	PA19	VDD	32
34	PA20	VDD	31
35	PA21	VDD	30
36	PA22	VDD	29
37	PA23	VDD	28
38	PA24	VDD	27
39	PA25	VDD	26
40	PA26	VDD	25
41	PA27	VDD	24
42	PA28	VDD	23
43	PA29	VDD	22
44	PA30	VDD	21
45	PA31	VDD	20
46	PA32	VDD	19
47	PA33	VDD	18
48	PA34	VDD	17
49	PA35	VDD	16
50	PA36	VDD	15
51	PA37	VDD	14
52	PA38	VDD	13
53	PA39	VDD	12
54	PA40	VDD	11
55	PA41	VDD	10
56	PA42	VDD	9
57	PA43	VDD	8
58	PA44	VDD	7
59	PA45	VDD	6
60	PA46	VDD	5
61	PA47	VDD	4
62	PA48	VDD	3
63	PA49	VDD	2
64	PA50	VDD	1

2

3

1



2

3

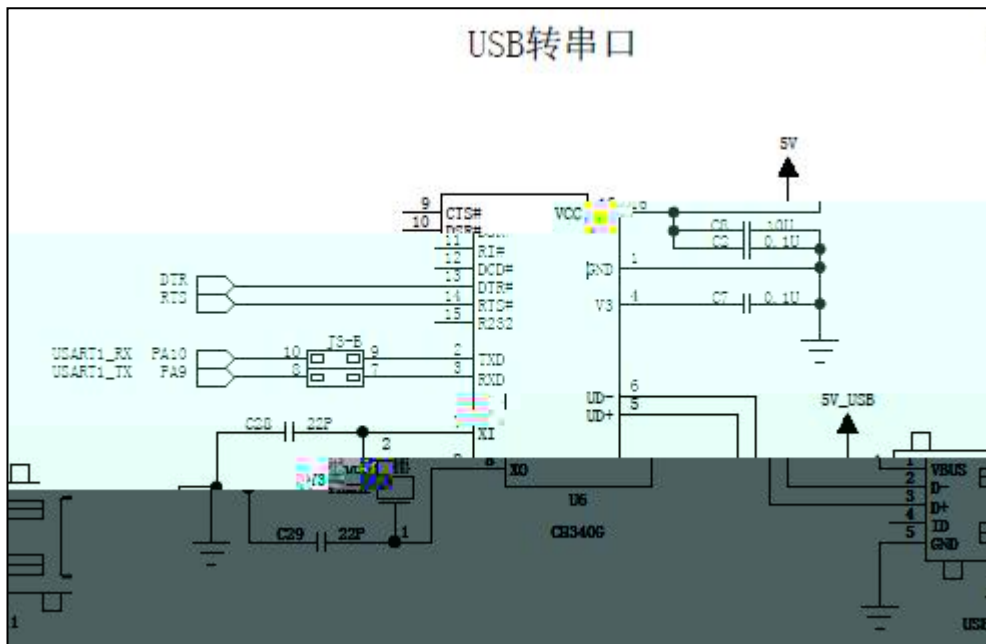
1

1	VBAT	VDD	64
2	PC13/ANT1	VSS	63
3	PC14/OSC32	PB9/TIM4_CH4/SDIO_D5	62
4	PC15/OSC32	PB8/TIM4_CH3/SDIO_D4	61
5	PD0/OSCIN	PA7/I2C1_SDA	59
6	PD1/OSCOUT	PA6/I2C1_SCL	58
7	NFS	PB6/I2C1_SCL	57
8	PC0 ADC10	PB5/I2C1_SMB4 SPI3_MOSI I2S3_SD	56
9	PC1 ADC11	PB4/JNTRST SPI3_MISO	55
10	PC2 ADC12	PB3/JTDO SPI3_SCK I2S3_CK	54
11	PC3 ADC13	PC2 U5_RX TIM3_ETR SDIO_CMD	53
12	VSSA	PC12 U5_TX SDIO_CK	52
13	VDDA	PC11 U4_RX SDIO_D3	51
14	PA0 WKUP ADC0-TIM2_CH1 ETR-TIM5_CH1-TIM8_ETR	PC10 U4_TX SDIO_D2	50
15	PA1 ADC11-M2_CH2-TM5_CH2	PA15/JTDI SPI3_NSS I2S3_WS	49
16	PA2 U2_TX ADC2-TIM2_CH3-TIM5_CH3	PA14/JTCK SWCLK	48
17	PA3 U2_RX ADC3-TIM2_CH4-TIM5_CH4	VDD	47
18	PA4		
19	PA5		
20	PA6		
21	PA7		
22	PA8		
23	PA9		
24	PA10		
25	PA11		
26	PA12		
27	PA13		
28	PA14		
29	PA15		
30	PC4		
31	PC5		
32	PC6		
33	PC7		
34	PC8		
35	PC9		
36	PC10		
37	PC11		
38	PC12		
39	PC13		
40	PC14		
41	PC15		
42	PD2		
43	PD3		
44	PD4		
45	PD5		
46	PD6		
47	PD7		
48	PD8		
49	PD9		
50	PD10		
51	PD11		
52	PD12		
53	PD13		
54	PD14		
55	PD15		
56	PE4		
57	PE5		
58	PE6		
59	PE7		
60	PE8		
61	PE9		
62	PE10		
63	PE11		
64	PE12		
65	PE13		
66	PE14		
67	PE15		
68	PF0		
69	PF1		
70	PF2		
71	PF3		
72	PF4		
73	PF5		
74	PF6		
75	PF7		
76	PF8		
77	PF9		
78	PF10		
79	PF11		
80	PF12		
81	PF13		
82	PF14		
83	PF15		
84	PG0		
85	PG1		
86	PG2		
87	PG3		
88	PG4		
89	PG5		
90	PG6		
91	PG7		
92	PG8		
93	PG9		
94	PG10		
95	PG11		
96	PG12		
97	PG13		
98	PG14		
99	PG15		
100	PH0		
101	PH1		
102	PH2		
103	PH3		
104	PH4		
105	PH5		
106	PH6		
107	PH7		
108	PH8		
109	PH9		
110	PH10		
111	PH11		
112	PH12		
113	PH13		
114	PH14		
115	PH15		
116	PI0		
117	PI1		
118	PI2		
119	PI3		
120	PI4		
121	PI5		
122	PI6		
123	PI7		
124	PI8		
125	PI9		
126	PI10		
127	PI11		
128	PI12		
129	PI13		
130	PI14		
131	PI15		
132	PL0		
133	PL1		
134	PL2		
135	PL3		
136	PL4		
137	PL5		
138	PL6		
139	PL7		
140	PL8		
141	PL9		
142	PL10		
143	PL11		
144	PL12		
145	PL13		
146	PL14		
147	PL15		
148	PM0		
149	PM1		
150	PM2		
151	PM3		
152	PM4		
153	PM5		
154	PM6		
155	PM7		
156	PM8		
157	PM9		
158	PM10		
159	PM11		
160	PM12		
161	PM13		
162	PM14		
163	PM15		
164	PN0		
165	PN1		
166	PN2		
167	PN3		
168	PN4		
169	PN5		
170	PN6		
171	PN7		
172	PN8		
173	PN9		
174	PN10		
175	PN11		
176	PN12		
177	PN13		
178	PN14		
179	PN15		
180	PP0		
181	PP1		
182	PP2		
183	PP3		
184	PP4		
185	PP5		
186	PP6		
187	PP7		
188	PP8		
189	PP9		
190	PP10		
191	PP11		
192	PP12		
193	PP13		
194	PP14		
195	PP15		
196	PP16		
197	PP17		
198	PP18		
199	PP19		
200	PP20		
201	PP21		
202	PP22		
203	PP23		
204	PP24		
205	PP25		
206	PP26		
207	PP27		
208	PP28		
209	PP29		
210	PP30		
211	PP31		
212	PP32		
213	PP33		
214	PP34		
215	PP35		
216	PP36		
217	PP37		
218	PP38		
219	PP39		
220	PP40		
221	PP41		
222	PP42		
223	PP43		
224	PP44		
225	PP45		
226	PP46		
227	PP47		
228	PP48		
229	PP49		
230	PP50		
231	PP51		
232	PP52		
233	PP53		
234	PP54		
235	PP55		
236	PP56		
237	PP57		
238	PP58		
239	PP59		
240	PP60		
241	PP61		
242	PP62		
243	PP63		
244	PP64		
245	PP65		
246	PP66		
247	PP67		
248	PP68		
249	PP69		
250	PP70		
251	PP71		
252	PP72		
253	PP73		
254	PP74		
255	PP75		
256	PP76		
257	PP77		
258	PP78		
259	PP79		
260	PP80		
261	PP81		
262	PP82		
263	PP83		
264	PP84		
265	PP85		
266	PP86		
267	PP87		
268	PP88		
269	PP89		
270	PP90		
271	PP91		
272	PP92		
273	PP93		
274	PP94		
275	PP95		
276	PP96		
277	PP97		
278	PP98		
279	PP99		
280	PP100		

2

3

1

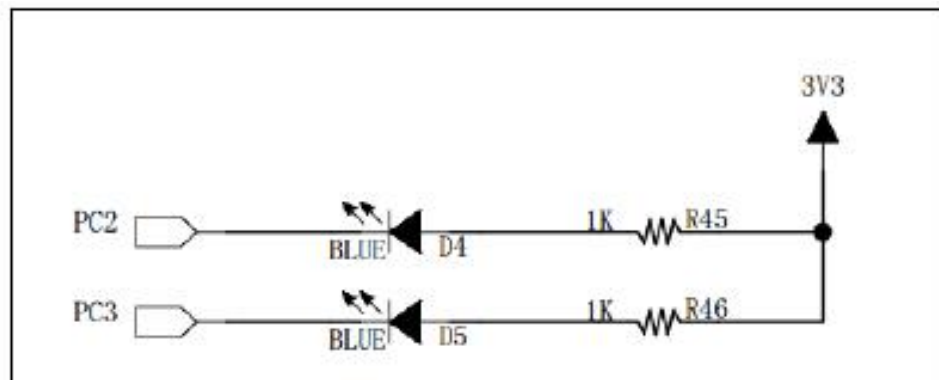
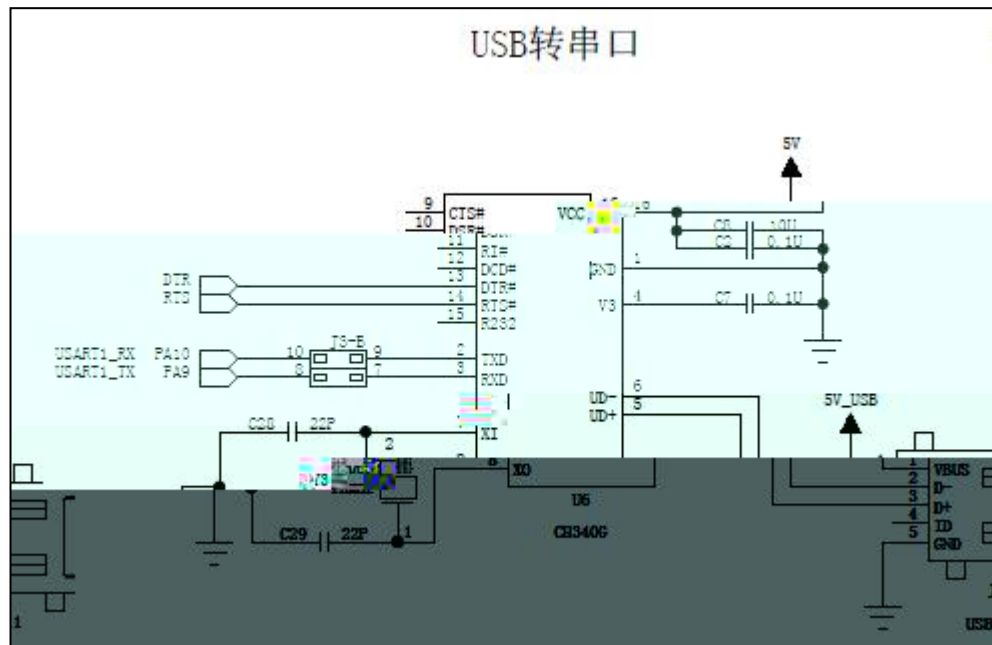


2

3

-

1



2

3

-

1

2

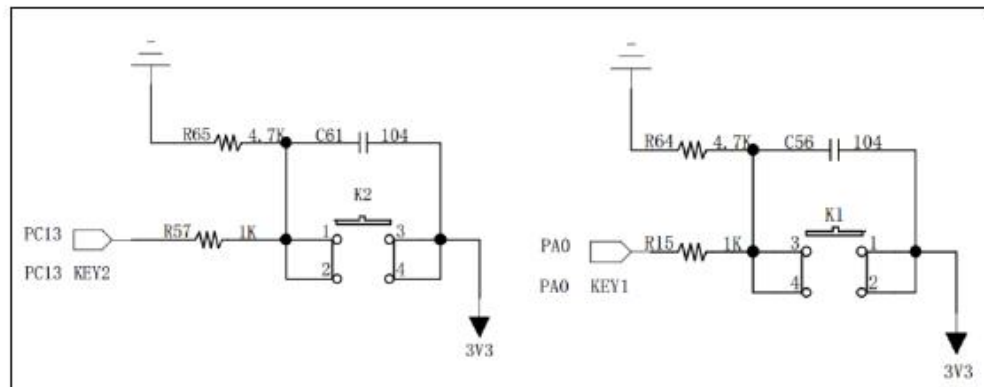
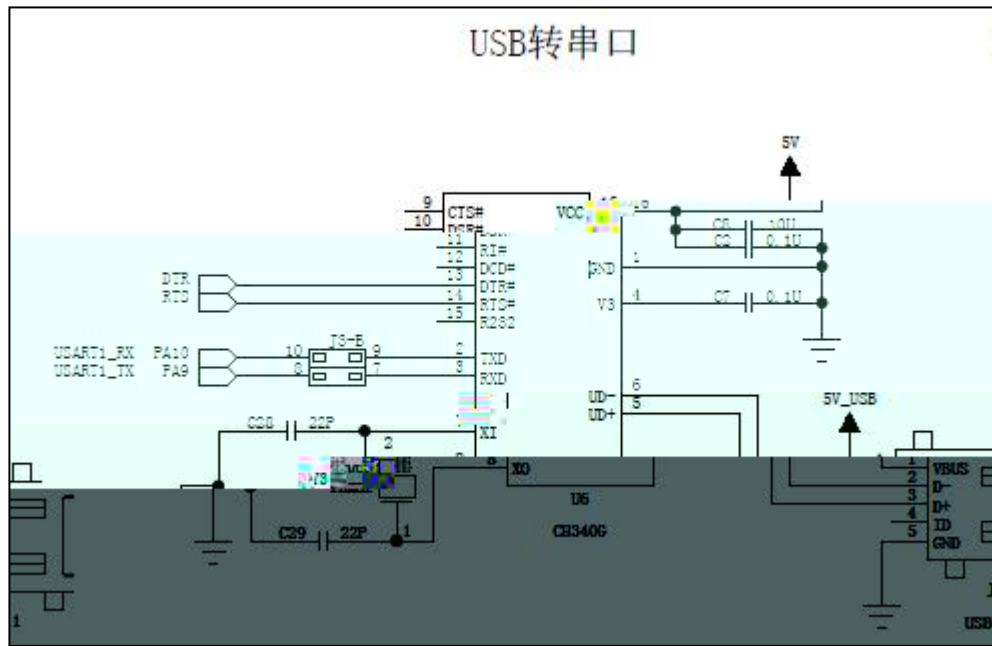


2

3

-

1

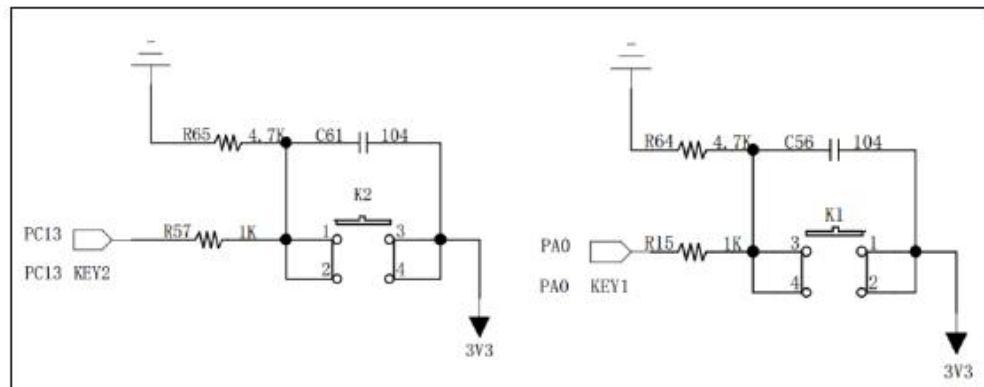
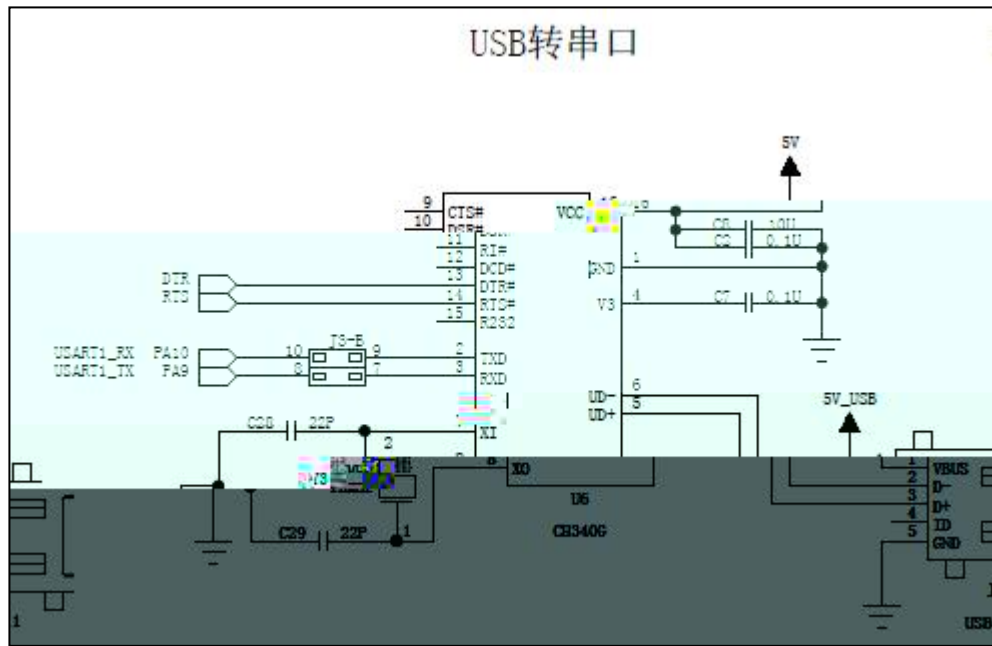


2

3

-

1



2

3

-



2

3

-

1



2

3

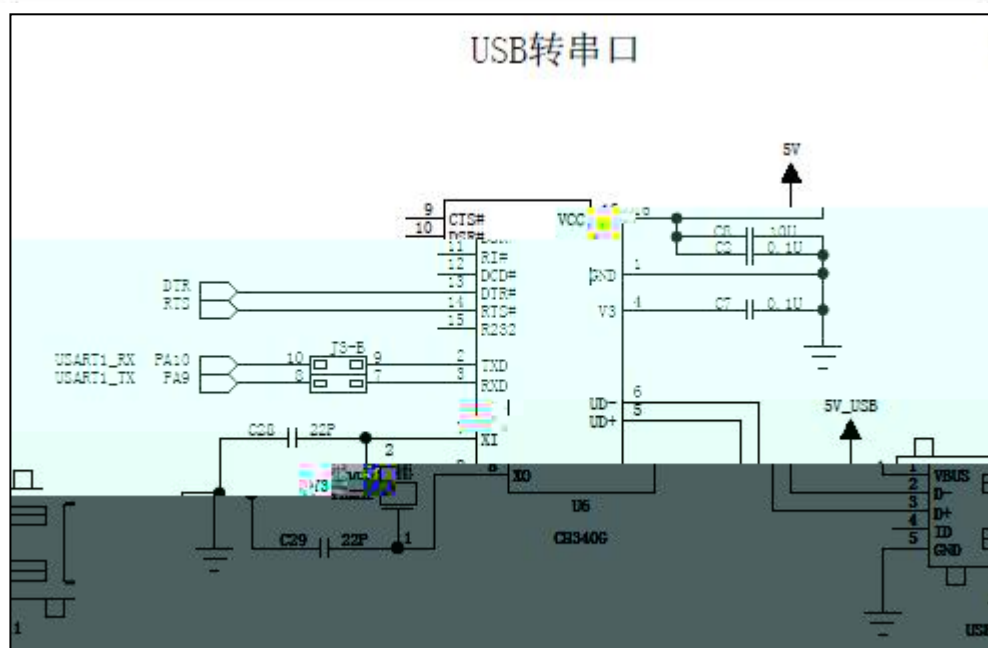
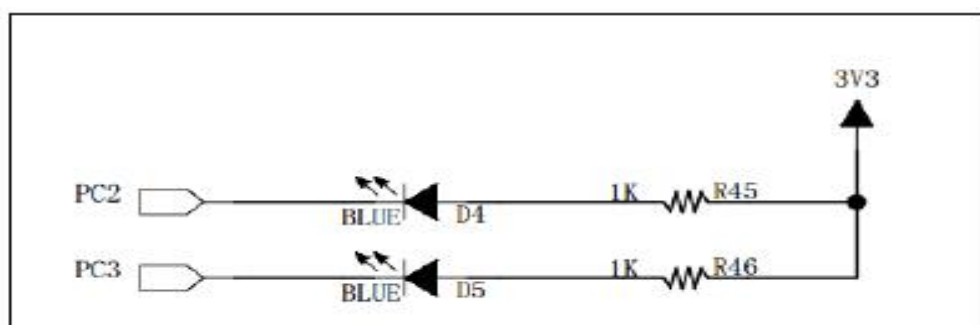


2

3

-

1



2

3

-

1

1

/ /

.0

/ /

()

/

1 0

20		10			0	
			6			
			7			
		10	8			
			9			

			10	
30				
		10		
		10		
50				
		10		

5

18

1

2

20sp

RGB

#FF0000

欢迎光临



3

:

2
1



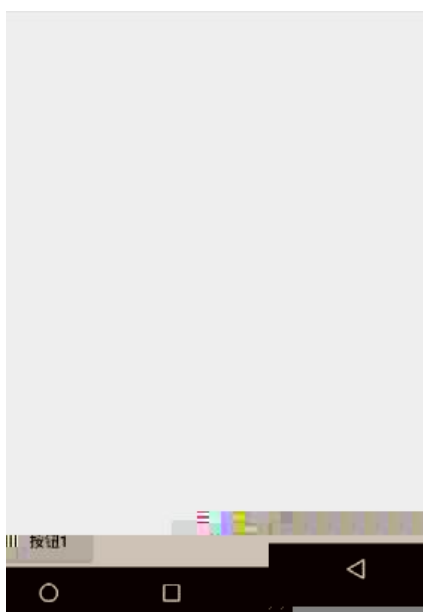
3 :

1

2

1

2



3

:

TextView

2

1



3

1

2



3

2

1

2



3

1

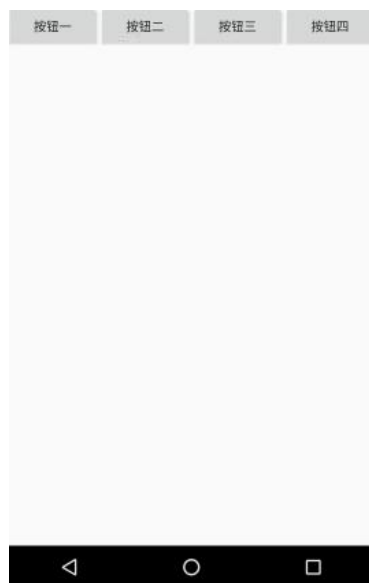
1 1 1 1

2

1

2

1 1 1 1



3

1

2

1



3

1

2

1

2



3

1

2

1

2

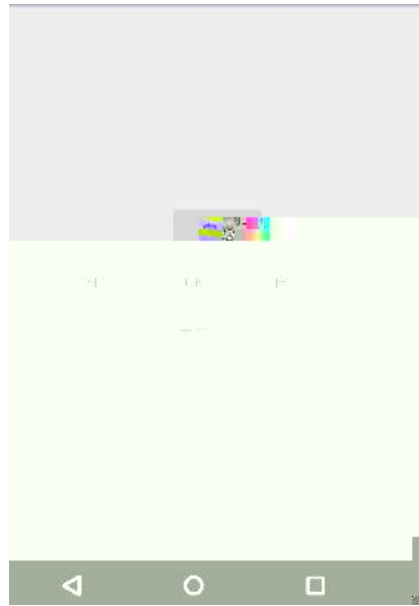


3

1

2

1



3

1

LED

2

1

2

3

TextView LED



3

1

LED

2

1

2

3

TextView LED



3

1

LED

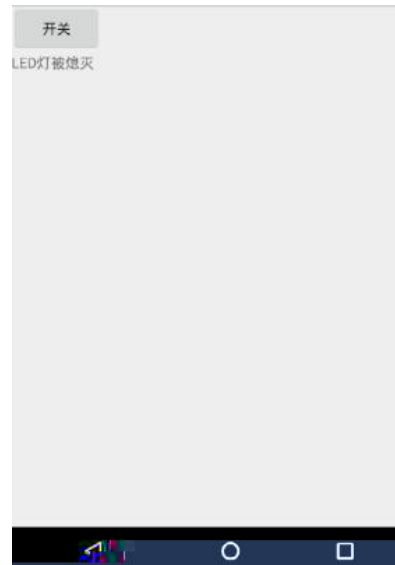
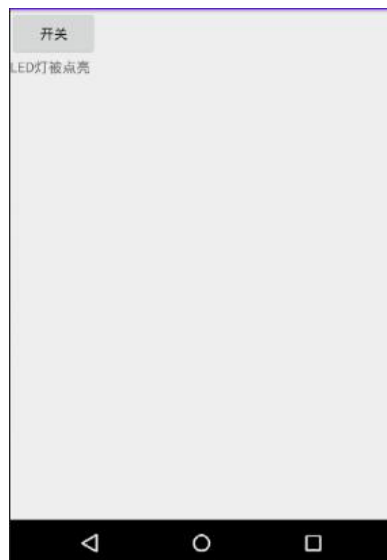
2

1

2

3

TextView LED



3

1

LED

2

1

2

3

4

TextVi ew



3

1

LED

2

1

2

3

4

ImageView

30dp*30dp



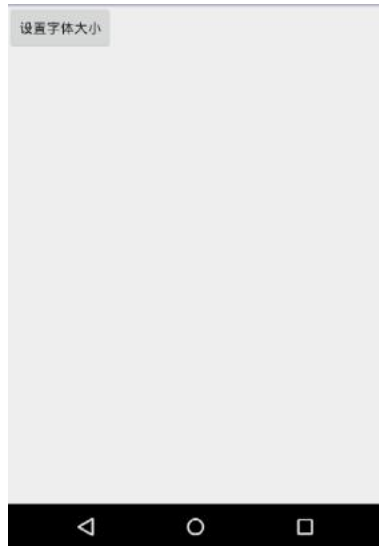
3

1

2

1

2



3

1

2

1

2



3